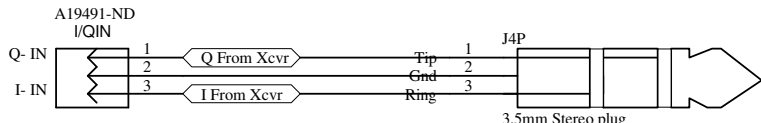
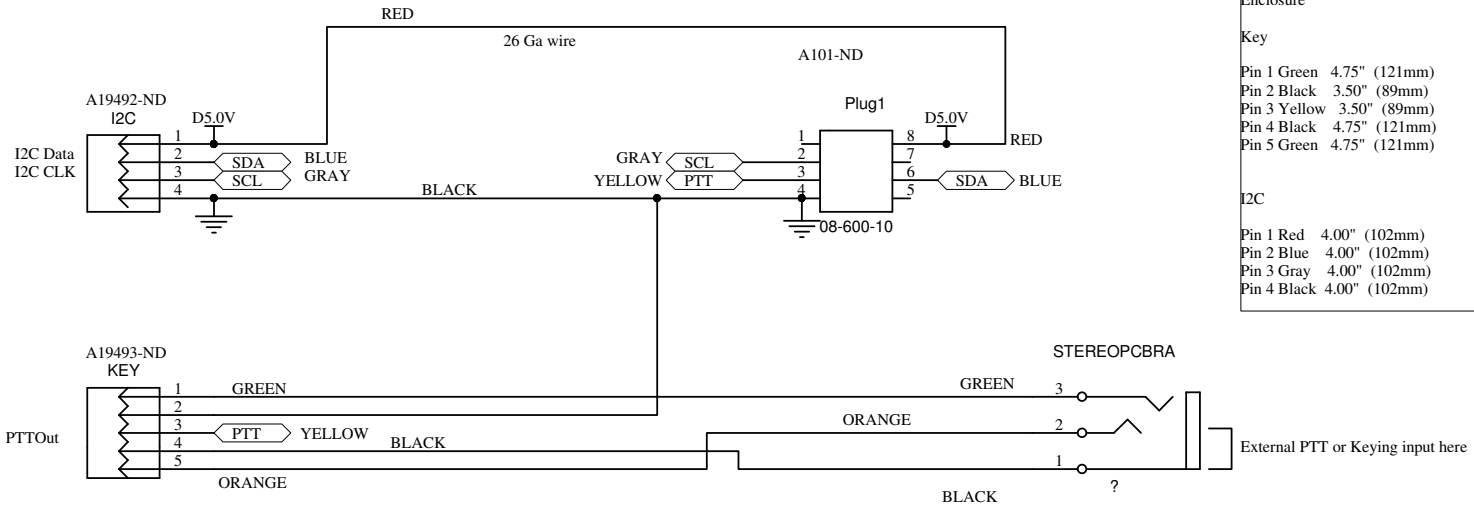


Shielded Cable. I used RG-178



Shielded Cable. I used RG-178

<http://www.rpelectronics.com/353-214-1-3-5mm-stereo-plug-plastic-right-angle-black.html>



Wire Lengths for RXTX and STM32-SDR Enclosure

Key

- Pin 1 Green 4.75" (121mm)
- Pin 2 Black 3.50" (89mm)
- Pin 3 Yellow 3.50" (89mm)
- Pin 4 Black 4.75" (121mm)
- Pin 5 Green 4.75" (121mm)

I2C

- Pin 1 Red 4.00" (102mm)
- Pin 2 Blue 4.00" (102mm)
- Pin 3 Gray 4.00" (102mm)
- Pin 4 Black 4.00" (102mm)

Contacts for connectors are 770601-2 Qty 12 required

Connect PS1 pins 1 and 2 to provide 5V to I2C Pin 1  
Change R15 and R18 on Ensemble RXTX from 10K0 to 2K49 1% for better output

Title		
STM32-SDR to Ensemble RXTX cables		
Size	Number	Revision
A4		0.3
Date:	07/03/2014	Sheet of
File:	X:\DFM\Ensemble RXTX interconnect	Drawn By Doc