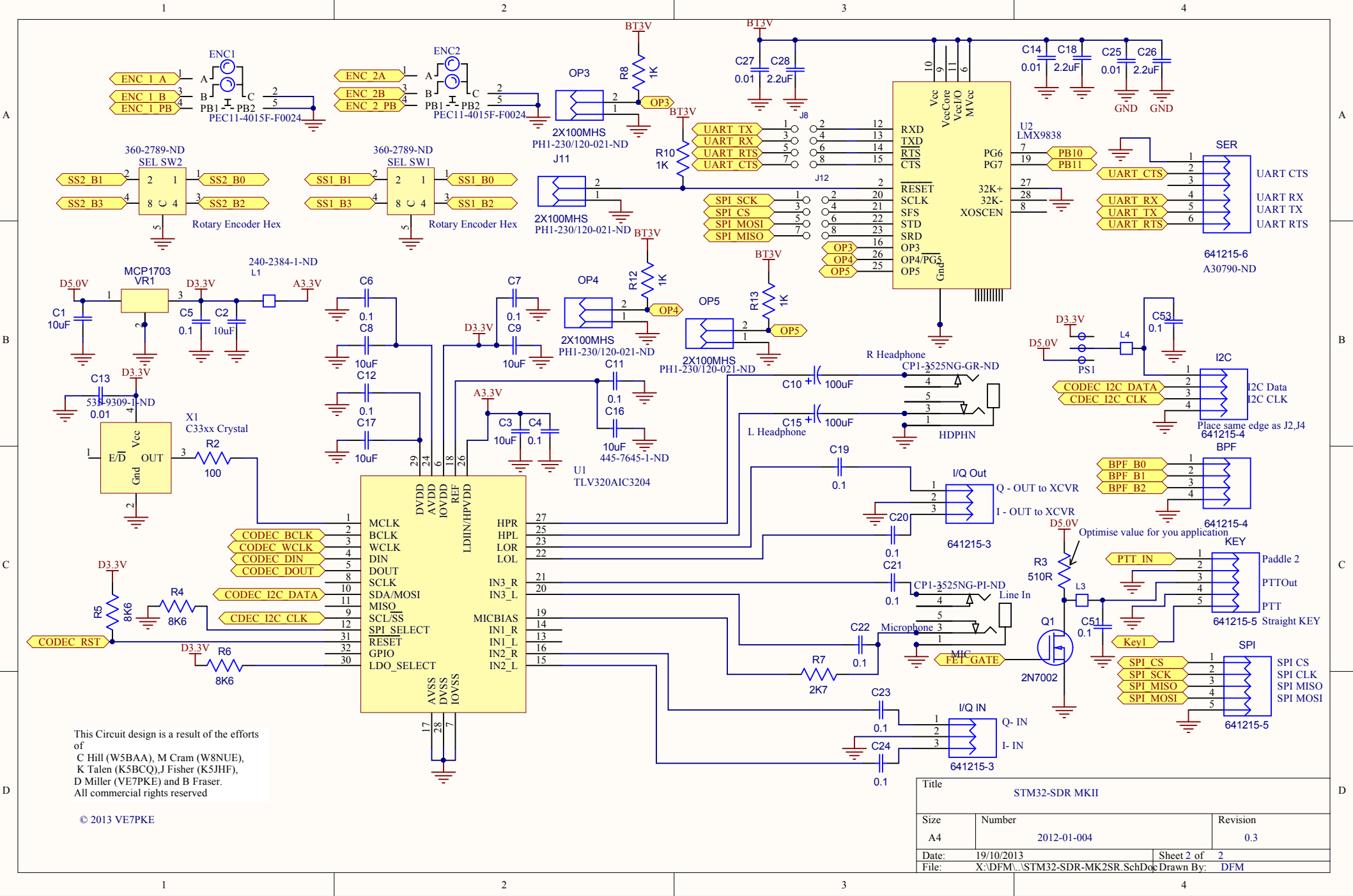


This Circuit design is a result of the efforts of
 C Hill (W5BAA), M Cram (W8NUE),
 K Talen (K5BCQ), J Fisher (K5JHF),
 D Miller (VE7PKE) and B Fraser.
 All commercial rights reserved

© 2013 VE7PKE

Title			STM32-SDR MKII		
Size	Number	Revision			
B	2013-01-004	0.3			
Date:	19/10/2013	Sheet 1 of		2	
File:	X:\DFM\STM32-SDR-MK2IO_SchDoc	Drawn By:		DFM	



This Circuit design is a result of the efforts of
 C Hill (W5BAA), M Cram (W8NUE),
 K Talen (K5BCQ), J Fisher (K5JHF),
 D Miller (VE7PKE) and B Fraser.
 All commercial rights reserved

© 2013 VE7PKE

Title			STM32-SDR MKII		
Size	Number	Revision			
A4	2012-01-004	0.3			
Date:	19/10/2013	Sheet 2 of	2		
File:	X:\DFM_\STM32-SDR-MK2SR.SchDoc	Drawn By:	DFM		